



**Green Power Systems srl**  
 Loc. Maiano s/n - 61028 Caprazzino di Sassocorvaro (PU)  
 Tel. +39 0722 726411 / Fax +39 0722 720092  
 www.greenpowergen.com / info@greenpowergen.com  
 ●○● MADE IN ITALY



SCHEDA TECNICA / TECHNICAL DATA SHEET / FICHE TECHNIQUE / FICHA TECNICA

# ENERGY STORAGE SYSTEM

## ESS 36



DATI TECNICI GENERALI	GENERAL TECHNICAL DATA	DONNEES TECHNIQUE GENERALES	DATOS TECNICOS GENERALES	
Potenza nominale	Nominal power	Puissance nominale	Potencia nominal	<b>12 KW/15 KVA</b>
Capacità di accumulo nominale	Nominal storage capacity	Capacité de stockage nominale	Capacidad nominal de almacenamiento	<b>36 kW/h</b>
Tensione nominale (50 Hz)	Rated voltage (50 Hz)	Tension nominale (50 Hz)	Tensión nominal (50 Hz)	<b>400/230 V</b>
Tensione batteria	Battery voltage	Voltage de batterie	Voltaje de la batería	<b>48 V</b>
Corrente nominale	Rated current	Courant nominal	Corriente nominal	<b>24 A</b>
Temperatura operativa	Operating temperature	Température de fonctionnement	Temperatura de funcionamiento	<b>Da -10°C A +50°C</b>
Livello potenza acustica	Sound power level	Niveau de puissance sonore	Nivel de potencia de sonido	<b>&lt;70 dB(A)</b>

BATTERIE	BATTERY	LA BATTERIE	BATERIA	
Quantità	Quantity	Quantité	Cantidad	<b>12 cad</b>
Tipologia cella	Cell type Do D (depth of discharge)	Type de cellule	Tipo de célula	<b>LiFePO4</b>
Do D (profondità di scarica)	Nominal capacity	Do D (profondeur de décharge)	Do D (profundidad de descarga)	<b>95%</b>
Capacità nominale	Nominal capacity	Capacité nominale	Capacidad nominal	<b>3552 Wh</b>
Massima corrente di carica/scarica	Maximum charge / discharge current	Courant de charge/décharge maximal	Corriente máxima de carga/descarga	<b>89@60 sec</b>
Vita utile	Useful life	Vie utile	Vida útil	<b>&gt;6000 cicli</b>

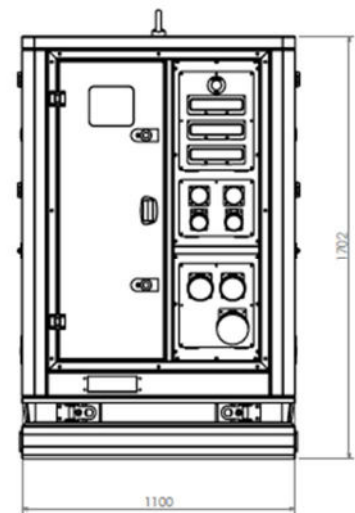
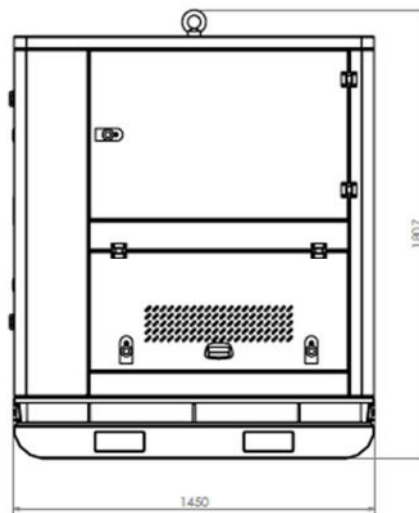
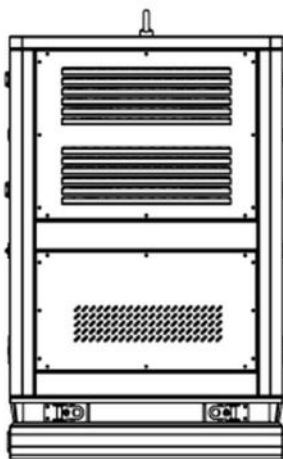


**Green Power Systems srl**  
 Loc. Maiano s/n - 61028 Caprazzino di Sassocorvaro (PU)  
 Tel. +39 0722 726411 / Fax +39 0722 720092  
 www.greenpowergen.com / info@greenpowergen.com  
 ●○● MADE IN ITALY



INVERTER	INVERTER	ONDULEUR	INVERSOR	
Quantita'	Quantity'	Quantité'	Cantidad'	<b>3 cad</b>
Potenza nominale	Nominal power	Puissance nominale	Potencia nominal	<b>15 kVA</b>
Sovraccaricabilità	overload	surcharge	sobrecarga	<b>&lt;= 2 k nom.</b>
Caricatore (48 Vcc)	charger	chargeur	cargador	<b>70 A</b>
Corrente passthrough max	Passthrough current max	Courant de passage max	Corriente de paso máx.	<b>100 A</b>

PRESTAZIONE	PERFORMANCE	PERFORMANCE	ACTUACIÓN	
Autonomia di scarico 100%/75%	100% / 75% discharge autonomy	100% / 75% d'autonomie de décharge	100% / 75% de autonomía de descarga	<b>3/4 h</b>
Autonomia di scarico 50%/25%	50% / 25% discharge autonomy	50% / 25% d'autonomie de décharge	50% / 25% de autonomía de descarga	<b>6/12 h</b>
Tempo di carica	Charging time	Temps de charge	Tiempo de carga	<b>1.8 h</b>
Potenza generatore raccomandata	Recommended generator power	Puissance de générateur recommandée	Potencia recomendada del generador	<b>30-60 kVA</b>
Sistema ibrido in uscita max	Hybrid system output max	Sortie maximale du système hybride	Salida máxima del sistema híbrido	<b>110 A</b>



DIMENSIONI E PESO	DIMENSIONS AND WEIGHT	DIMENSIONS ET POIDS	DIMENSIONES Y PESO	
Dimensioni LxHxP	Dimension LxHxP	Dimensions LxHxP	Dimensiones LxHxP	<b>1100x1795x1537</b>
Peso	Weigth	Poids	Peso	<b>1100 Kg</b>

DOTAZIONI PRESE	EQUIPMENT TAKEN	ÉQUIPEMENT PRIS	EQUIPO LLEVADO	
Ingresso	entrance	entrée	entrada	<b>1 X CEE 400V 5P 125 A</b>
Uscita	exit	Sortir	Salida	<b>2 X CEE 400V 5P 32 A</b>
				<b>2 X CEE 400V 5P 16 A</b>
				<b>1 X CEE 230V 3P 16 A</b>
				<b>1 X SHUKO 230V 3P 16 A</b>



**Green Power Systems srl**  
 Loc. Maiano s/n - 61028 Caprazzino di Sassocorvaro (PU)  
 Tel. +39 0722 726411 / Fax +39 0722 720092  
 www.greenpowergen.com / info@greenpowergen.com  
 ●○● MADE IN ITALY

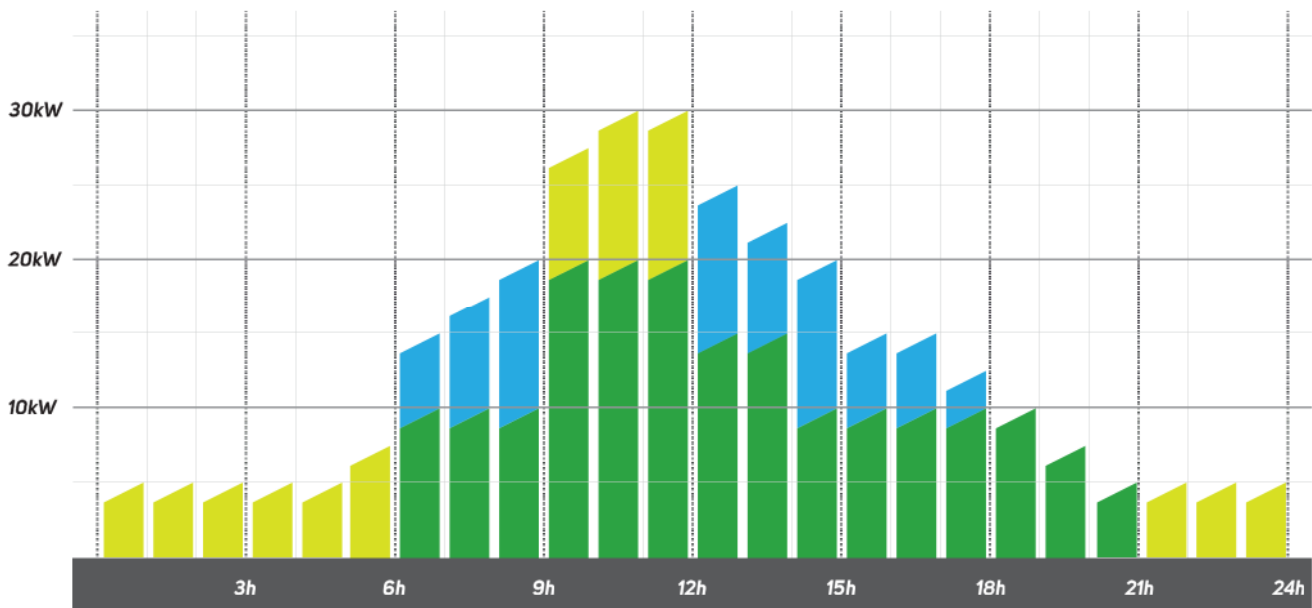


## APPLICATION SYSTEM ESS36



THE ENERGY STORAGE SYSTEM ESS36 IS A VERY VERSATILE PRODUCT. IT CAN BE USED TO SUPPLY ENERGY BY ITSELF, TO RECEIVE THE OVERPRODUCED ENERGY BY THE GENERATING SET, OR IN SUPPORT TO THE GENERATING SET TO REACH ENERGY PEAKS NOT SUPPORTED BY THE SET POWER. BY USING THE ESS 36 IN COMBINATION WITH OUR GENERATING SET, YOU CAN OPTIMIZE THE USE OF THE SET ITSELF BY NOT WASTING FUEL AND PRODUCED ENERGY PRODUCED.

IN THIS WAY WE HAVE A REAL HYBRID SYSTEM THAT TAKES THE ENERGY PRODUCED AND NOT USED BY THE GENERATING SET AND IT ACCUMULATES IT IN THE ENERGY STORAGE SYSTEM. THIS EXTRA ENERGY CAN BE THEN REUSED WHEN NEEDED, WITH ZERO EMISSIONS OF CO2 AND ZERO SOUND EMISSIONS. WITH THIS COMBINATION YOU HAVE AN HYBRID SYSTEM THAT USES ALL THE ENERGY WITHOUT WASTING IT.



ESS / ENERGY STORAGE SYSTEM

ZERO EMISSION



PG / POWER GENERATOR

ECO FRIENDLY STAGE V ENGINE



ESS + PG

HYBRID MODE LOW EMISSION



www.greenpowergen.com



Tutte le immagini ed i vari dati tecnici sono a titolo indicativo e potranno essere modificati senza preavviso.  
 All images and technical data are for illustrative purposes and can be changed without prior notice.  
 Toutes les images et les données techniques sont indicatives et peuvent être changées sans préavis.  
 Todas las imágenes y los datos técnicos son indicativos y podrán ser modificados sin previo aviso

