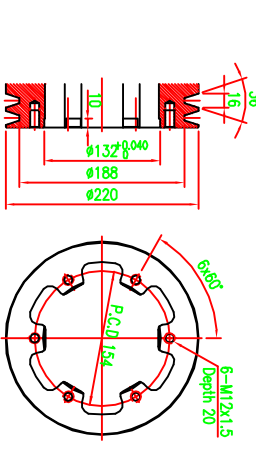
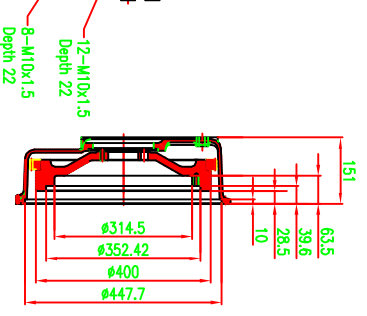


Power Train



Detail of Crank Shaft Pulley

REV	DATE	BY	CHK	DESCRIPTION
1				ENGINE ASSY
2				65.00506-7593