



# Generating Set Nanni QLS47T

37.8 kW max at 1500 rpm

## Engine base

- 4 strokes Diesel engine tested in all marine or industrial applications throughout the world.
- Tunnel type engine block. Off set steel pistons, hanger type crankcase and timing gear.

## Injection and combustion system

- The Super Glow System comes as standard equipment to start the engine in cold temperatures.
- The E-CDIS injection system produces an ideal air/fuel mixture by creating three vortices in the combustion chamber. The combustion efficiency is improved, resulting in low fuel consumption.

## Cooling system

- Cooling is ensured by heat exchange between coolant and seawater in an heat exchanger.
- Seawater pump with rubber impeller.

## Generator

- Delivering a continuous power of 34.4 kW and able to provide up to 37.8 kW.
- IP21 protection (additional level available on demand).

## Generator set ratings

Voltage (V)	Frequency (Hz)	Power * (kW)	
		max	cont.
400	50	37.8	34.4

Tri-phased output with power factor  $\cos \phi = 0.8$   
\*Continuous (COP) and max (PRP) power rating according to ISO 8528-1

## Weight and dimensions

Dry weight (kg)	561
Length (mm)	1331
Width (mm)	670
Height (mm)	835

## Engine main features

- Kubota base Diesel engine
- 4 cylinders in line
- Closed cooling with heat exchanger

## Generator main features

- Class H insulation
- 50 Hz
- Voltage accuracy of  $\pm 1.5\%$
- Radio interference suppression
- Electronic regulator

## Standard equipment

- Extension delivered by meter
- Closed cooling with heat exchanger
- Wet exhaust
- 12V Single-pole electrical system
- Safety shutdowns on low oil pressure and high coolant temperature
- Eco GE panel
- Rubber mounts
- Oil drain pump mounted on the engine

## Optional equipment

- Seawater hoses
- Seawater filter
- Siphon breaker
- Fuel feed system piping
- Exhaust system
- Fuel prefilter
- Keel Cooling
- Vertical dry exhaust
- Horizontal dry exhaust
- 12V Double-pole electrical system
- Luxe GE panel (instead of Eco GE panel)
- Additional electric fuel feed. pump

# Generator set QLS47T

## Engine specifications

Engine base	Kubota
Cycle	4 strokes Diesel
Number of cylinders	4 in line
Displacement (cm <sup>3</sup> )	3769
Bore and stroke (mm)	100 x 1200
Combustion system	Direct
Rated rpm	1500
Intake	Turbo

## Fuel system

Fuel injection pressure (bar)	140
Fuel injection pump	In line, Bosch mini type
Fuel feed pump	Mechanical
Governor type	All speed mechanical

## Cooling system

Seawater pump	Neoprene rotor
Coolant pump type	Coaxial alternator driven
Coolant capacity (l)	12
Exhaust manifold	Fresh water cooled
Exhaust elbow	Water injected

## Lubrication system

Oil pan capacity (l)	13
Oil type	API-CF mini 15W40
Oil filter	Full flow type filter
Lubrication system	Forced by trochoid pump

## Engine Electrical System

Engine alternator (V-A)	12 - 60
Battery recommended (Ah)	136
Starter motor (V-kW)	12 - 3

## Instrument panel

### Eco GE



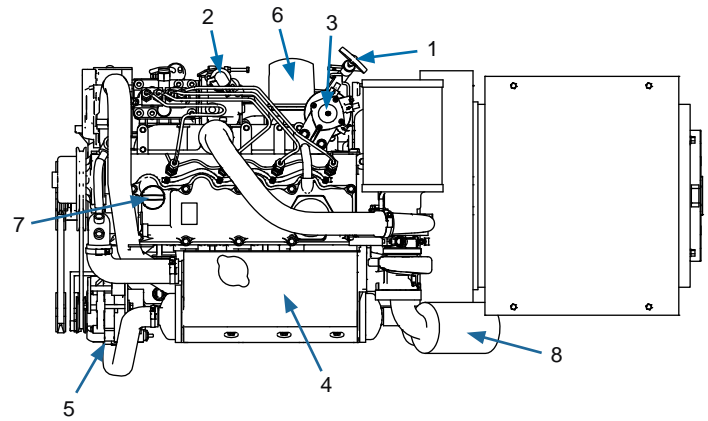
### Luxe GE



- Start and stop buttons
- Low oil pressure warning light
- Coolant temperature warning light
- Preheat warning light
- Battery charge warning light
- Oil pressure indicator \*
- Coolant temperature indicator \*

\*Only on Luxe GE panel

## Main components



1. Oil drain pump.
2. Fuel feed pump
3. Fuel filter
4. Expansion tank
5. Seawater pump
6. Oil filter
7. Oil filler port
8. Exhaust elbow

## Nanni Industries S.A.S. France

11, Avenue Mariotte-Zone Industrielle

33260 La Teste France

Tel : + 33 (0)5 56 22 30 60

Fax : +33 (0)5 56 22 30 79

[www.nannidiesel.com](http://www.nannidiesel.com)

Certified



Your dealer