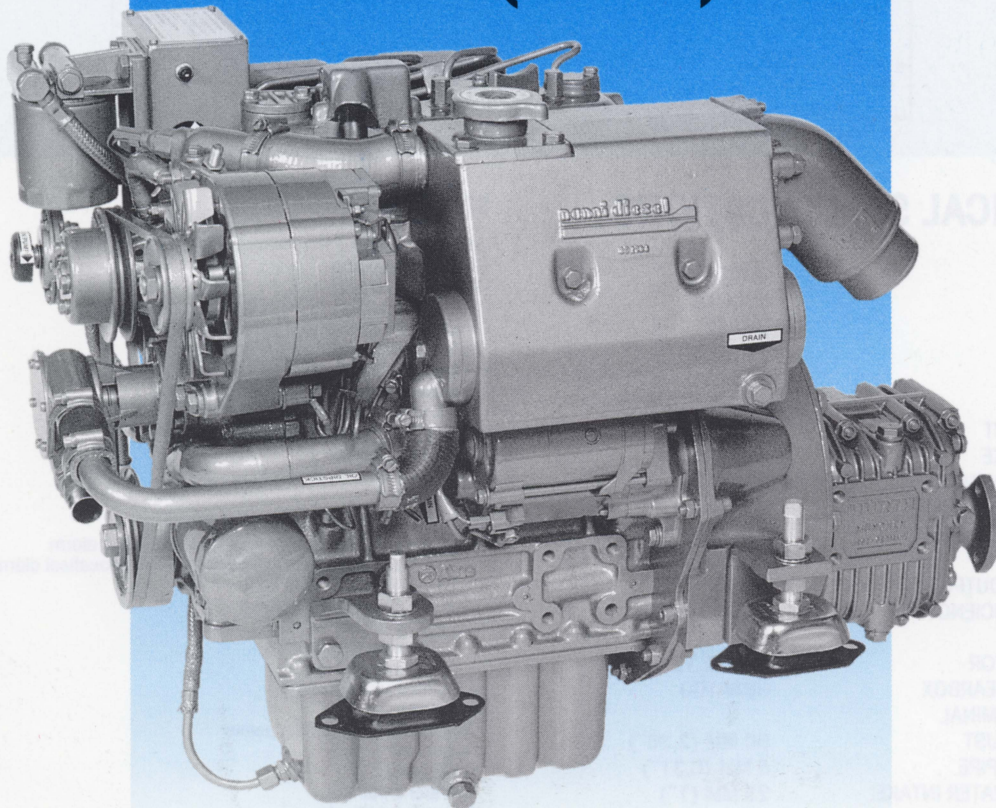


3.110 HE 20 KW (27 HP)



NANNI DIESEL 3.110 HE, is a 3 cylinder in line 1120 cc based on KUBOTA. "Series Superfive" due to KUBOTA's superior technology, this has enabled them to build a small, compact and low polluting engine. Read the following characteristics: you will notice the differences!

NANNI DIESEL "MAKES EASY INSTALLATION"
The engine is supplied complete, ready to be installed in any type of boat. All service points are accessible from the front of the engine making checks and maintenance simple.

NANNI DIESEL "THE HEAT EXCHANGER"
All our engines are equipped with a heat exchanger which guarantees optimal working temperature, good combustion and long life. The heat exchanger can also supply heat to a calorifer and heating system.

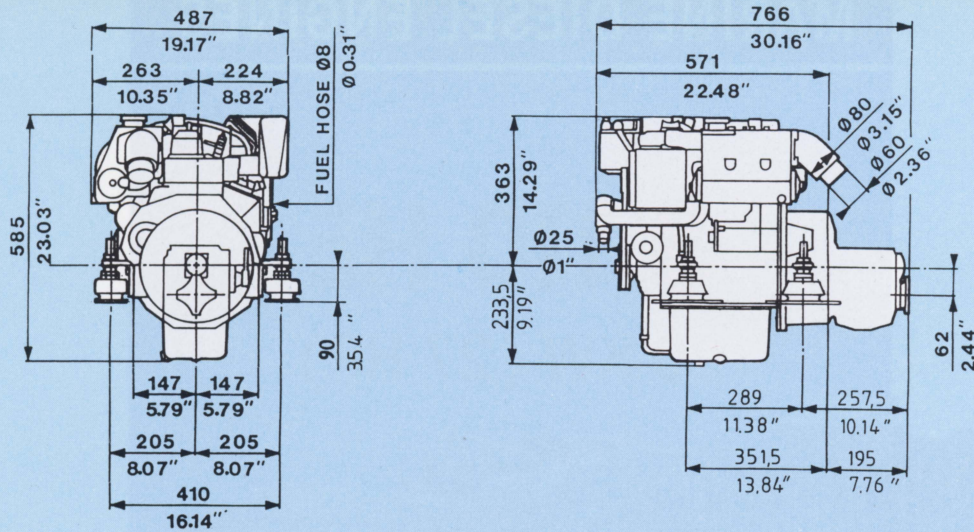
NANNI DIESEL "INDIRECT INJECTION"
The pre-combustion chamber, a completely new type, and the glow plugs, guarantee quick starts. Compared with other small engines, ours deliver the power quickly which greatly helps in manoeuvring.

NANNI DIESEL "THE DIPLOMAT"
Keeping all benefits from top research and development by KUBOTA, our engines are leaders of the antipollution field. Low noise level, low vibrations, low exhaust emission, quiet and smooth we know how to make them quiet and unobtrusive.

NANNI DIESEL "THE SERVICE"
As official marinizer of KUBOTA, we give service all over the world. Our dealer network extends to more than 30 countries and through our 450 service points we offer maintenance, spare parts and documentation.

nannidiesel

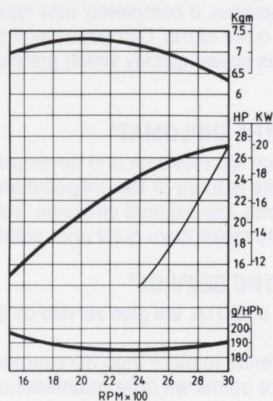
MARINE PROPULSION



TECHNICAL SPECIFICATIONS

ENGINE TYPE	3.110 HE
BASIS	KUBOTA
FUEL	DIESEL
INJECTION	INDIRECT
PRINCIPLE	VERTICAL - 4 STROKE
COOLING	HEAT EXCHANGER
DISPLACEMENT	1123 CC (68,5 CU.INCH)
BORE / STROKE	78 X 78,4
COMPRESSION RATIO	22/1
NUMBER OF CYLINDERS	3 IN LINE
WEIGHT (INCL. GEARBOX)	130 KG
MAX POWER	20 KW (27 HP)
RPM AT MAX OUTPUT	3.000
GEARBOX EFFICIENCY	APPROX 95 %
ALTERNATOR	55A 14V
STARTER MOTOR	0,8 KW 12V
REDUCTION GEARBOX	HBW 100
DIAMETER NOMINAL	
EXHAUST	60 MM (2,36")
FUEL PIPE	8 MM (0,31")
SEAWATER INTAKE	25 MM (1")
INSTALLATION ANGLE	15°
HEELING ANGLE	
CONTINUOUS	20°
INTERMITTENT	30°

SPECIFICATIONS SUBJECT TO CHANGE WITHOUT NOTICE.



DISTRIBUTED BY :



NANNI DIESEL advise

STANDARD EQUIPMENT

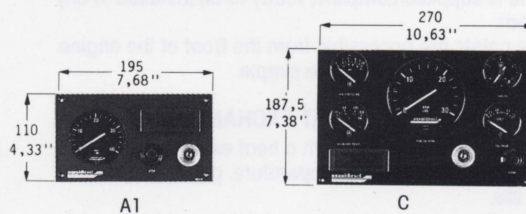
- Heat exchanger
- Fresh water pump
- Thermostat
- Sea water pump
- Fresh water cooled exhaust manifold
- Exhaust elbow with water injection
- In line injection pump
- Fuel feed pump
- Fuel filter
- Oil filter
- Oil drain pump
- Electric system 12 V
- Electric stop
- REMOTE INSTRUMENT PANEL A1 :
 - oil pressure pilot light and acoustical alarm
 - water temperature pilot light and acoustical alarm
 - alternator pilot light
 - glow plug pilot light
 - start key
 - stop push button
 - tachometer
- 4 mt intermediate wiring
- Gearbox
- Control cables mounting points
- Flex mount
- Set of tools
- Operator's manual
- Warranty certificate

ACCESSORIES

- Bilge pump
- Two-pole electric system
- PTO pulley
- Coupling
- Sterngear
- Propeller
- Exhaust system
- Remote control
- Remote cables
- Sea water hoses
- Fuel hoses
- Sea water filter

The standard instrument panel can be replaced by the instrument panel C, same functions as A1 with:

- voltmeter
- water temperature gauge
- Oil pressure gauge
- Hour counter



HEADQUARTER
NANNIDIESEL ITALIA S.P.A. Traversa del Grillo
KM. 0,600 00060 CASTELNUOVO
DI PORTO - ROME - ITALY
TEL. NR. : (39) 6 9073393 - 9073396
(39) 6 9073417 - 9073418
FAX. NR. : (39) 6 9073153

PRODUCTION AND TECHNICAL OFFICE
NANNI INDUSTRIES S.A.
Zone Industrielle - Avenue Mariotte - B.P. 107
33260 LA TESTE - FRANCE
TEL. NR. : (00.33) 56 54 13 59
FAX. NR. : (00.33) 56 54 17 51